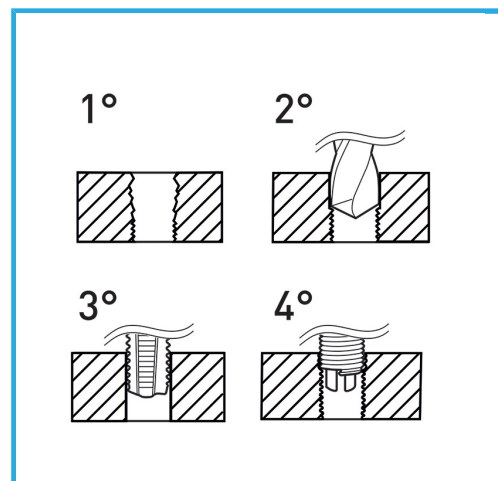


SUITABLE FOR THREAD REGENERATION OR TO OBTAIN VERY RESISTANT TAPPING IN SOFT MATERIALS.



| | |
|----------------------|---------------------|
| Thread insert | M5 |
| Drill | 5,2 mm |
| Tap | x M5 |
| Handle | 2 |
| Gross weight | 0,41 kg |
| Packaging dimensions | 110 x 155 x 35 h mm |
| EAN Code | 8012667249939 |



Hangable

HSS

INOX