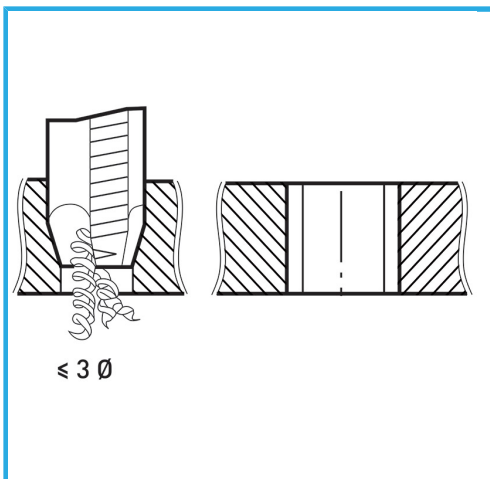


**ART. M002/16**  
MACHINE TAPS STRAIGHT FLUTE SPIRAL POINTED FOR  
THROUGH HOLES



ISOMETRIC THREAD COARSE PITCH.



B	M16 x 2 mm
L2	32 mm
L1	110 mm
D2	12 mm
C	9 mm
Gross weight	0,10 kg
Packaging dimensions	-
EAN Code	8012667141639



Box



HSS-G

-



HV=750



External



376/B