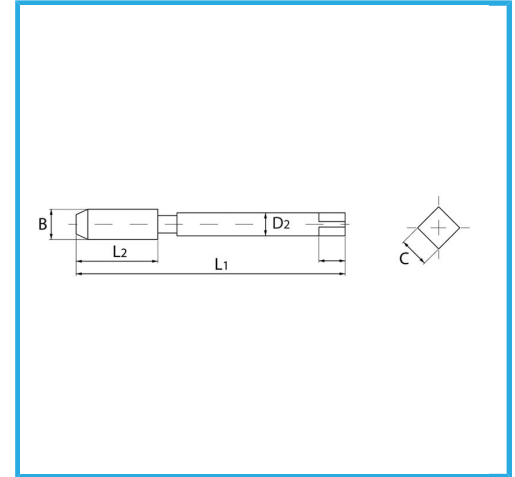
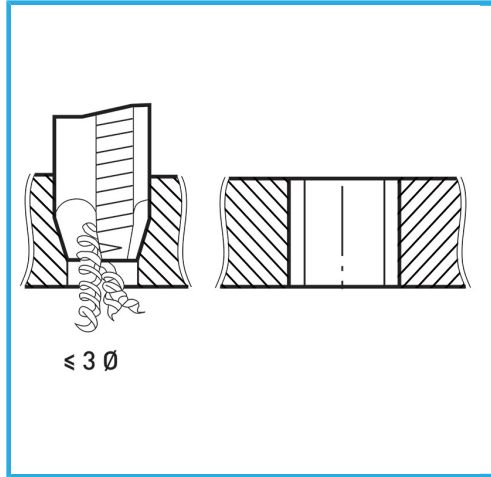


ART. M001/08V
MACHINE TAPS STRAIGHT FLUTE, SPIRAL POINTED FOR
THROUGH HOLES



ISOMETRIC THREAD COARSE PITCH - REINFORCED SHANK, THE
VAPORIZATION TREATMENT INCREASES THE SURFACE HARDNESS
AND WEAR RESISTANCE...



B	M8 x 1,25 mm
L2	22 mm
L1	90 mm
D2	8 mm
C	6.2 mm
Gross weight	0,03 kg
Packaging dimensions	115x11x11 h mm
EAN Code	8012667261368



Box



HSS-G



Vaporized



HV=750



External



371/B