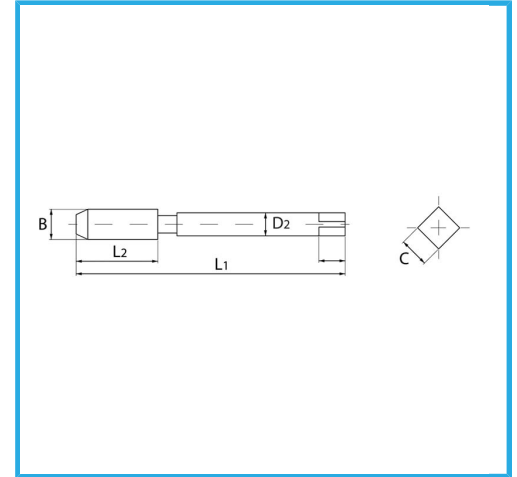
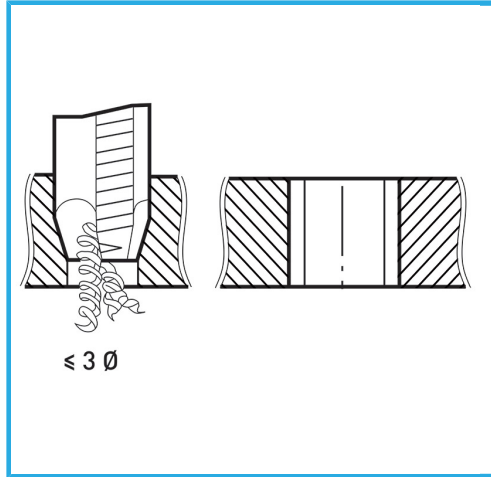


ART. M001/05V

MACHINE TAPS STRAIGHT FLUTE, SPIRAL POINTED FOR THROUGH HOLES



ISOMETRIC THREAD COARSE PITCH - REINFORCED SHANK, THE VAPORIZATION TREATMENT INCREASES THE SURFACE HARDNESS AND WEAR RESISTANCE...



| | |
|----------------------|---------------|
| B | M5 x 0,80 mm |
| L2 | 16 mm |
| L1 | 70 mm |
| D2 | 6 mm |
| C | 4.9mm |
| Gross weight | 0,01 kg |
| Packaging dimensions | 12x12x75 h mm |
| EAN Code | 8012667257361 |



Box



HSS-G



Vaporized



HV=750



External



371/B