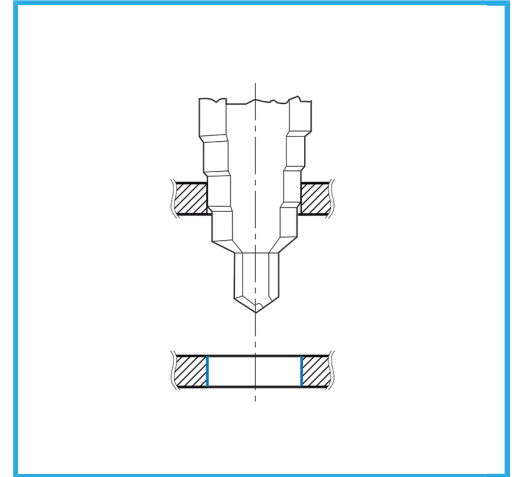
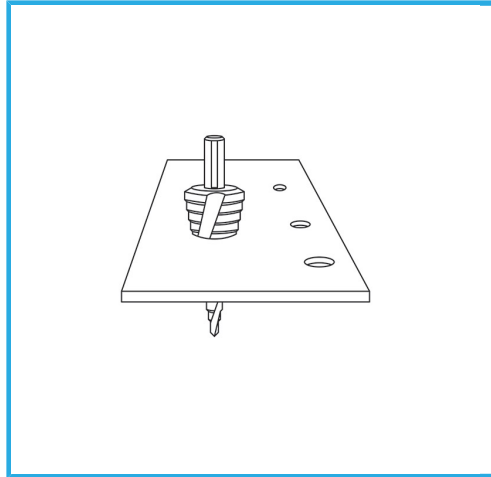


FOR CREATING AND ENLARGING HOLES IN SHEET METAL.



**Stem** 10 mm  
**∅** 6 - 39  
(6-9-12-15-18-21-24-27-30-33-36-39) mm  
**Gross weight** 0,23 kg  
**Packaging dimensions** 105x50x50 h mm  
**EAN Code** 8012667181154



Box

HSS



TiN