

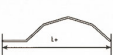
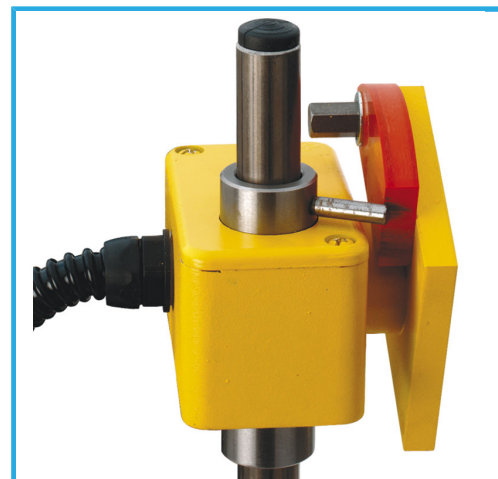


ADJUSTABLE AND TILTING HEIGHT, LEXAN SCREEN, SAFETY MICROSWITCH.



STELO	L	L	L
mm.	400	500	600
SCHERMO	H x L	H x L	H x L
mm.	150 x 300	150 x 400	200 x 400
FORMA SCHERMO			



**Shaft length**

400L mm

**Shield**

150 x 350 H x L mm

**Gross weight**

2,00 kg

**EAN Code**

8012667184650

