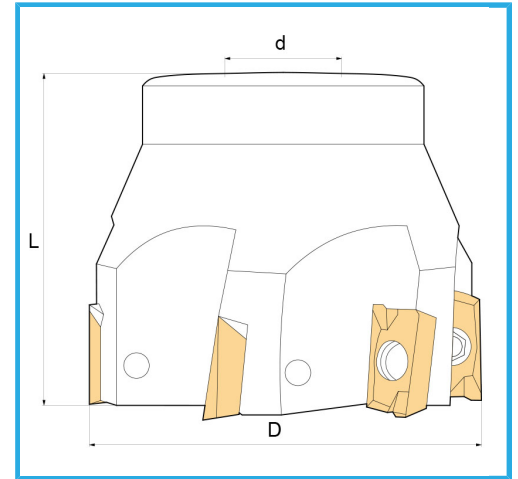
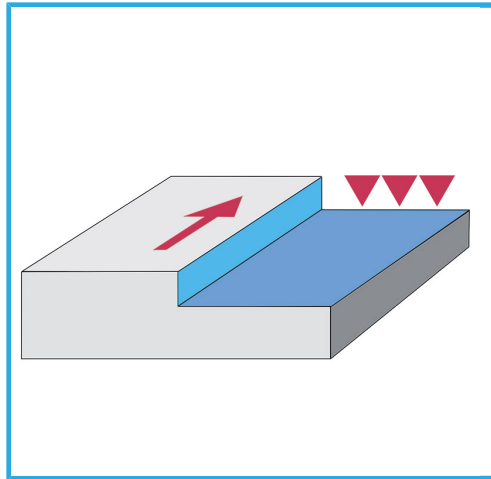


WITH SLEEVE CONNECTION.



| | |
|-----------------------|---------------|
| D | 63 mm |
| L | 50 mm |
| d | 22 mm |
| Z | 6 |
| Screw | KV400 |
| Insert (not included) | APKT1604... |
| Gross weight | 0,71 kg |
| Packaging dimensions | 80x80x90 h mm |
| EAN Code | 8012667179663 |



Box



Satin



Nickel
plated



External