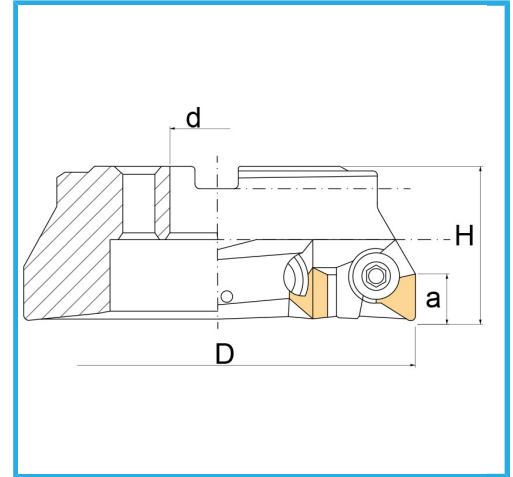
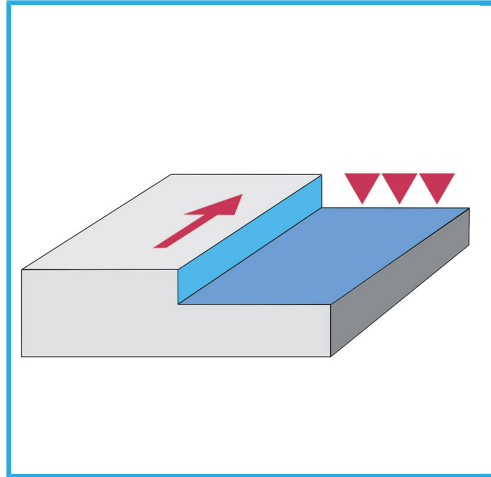


WITH SLEEVE CONNECTION, RECOMMENDED FOR USE ON MACHINES WITH MEDIUM POWER.



D	80 mm
H	50 mm
a	22 mm
d	27 mm
Z	4
Screw	F256/648
Insert (not included)	TPKN2204...
Gross weight	0,94 kg
Packaging dimensions	100x85x85h mm
EAN Code	8012667189884



Box



Satin



Nickel  
plated



Internal