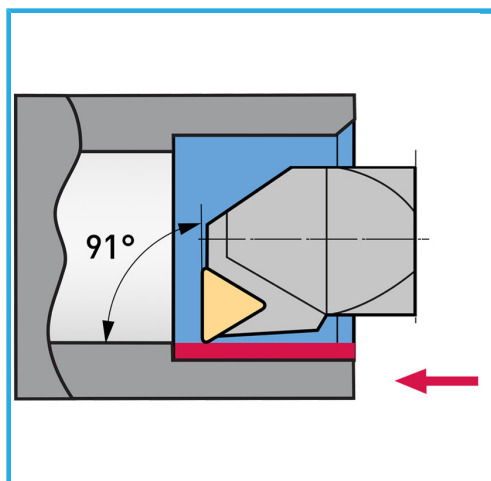


INSERT INCLUDED, USEFUL FOR HAVING A SET THAT ALLOWS YOU TO PERFORM MOST TURNING OPERATIONS WITH SMALL LATHES.



Ext. shank / Insert

Int. shank / Insert

Length

Screw

Gross weight

Packaging dimensions

EAN Code

12 mm / TCMT110204...

10 mm / TCMT110204...

Ext: 88 mm / Int: 125 mm

KV250

0,68 kg

170x160x50 h mm

8012667243968



Box



Burnished



External