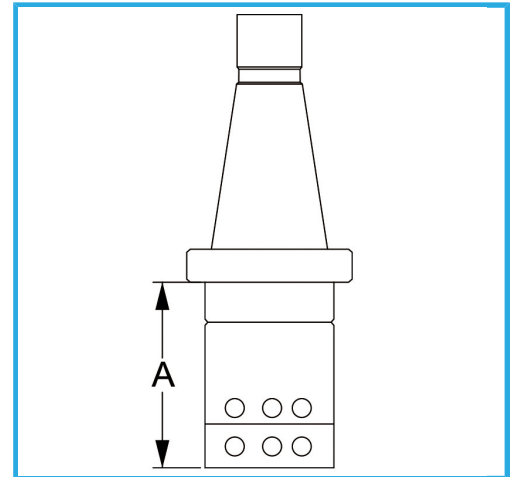


TOOL KIT NOT INCLUDED, TO SLIGHTLY CORRECT THE AXIALITY AND DIAMETER OF THE HOLES.



Boring head body

Ø 50 mm

Shank

CM/MT3-DIN228A

Tools

Ø 12 mm

Max offset

15 mm

A

75 mm

Gross weight

1,19 kg

Packaging dimensions

70x70x175 h mm

EAN Code

8012667002954



Box



Grounded



40 Cr

-