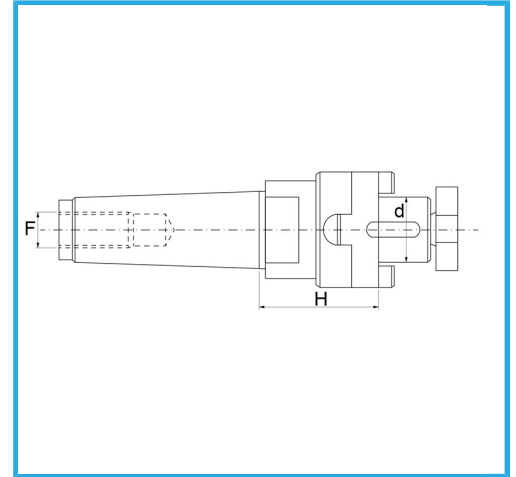


ART. 27/CM3
TAPER SHANK SHELL END MILL ADAPTER



DIN 228/A FOR CYLINDRICAL END MILLS ACCORDING TO DIN 481, FOR MILLING CUTTERS WITH LONGITUDINAL GROOVE DIN 1880 AND FOR INSERT...



d - h6	27 mm
Spindle taper	3
F	M 12
H	50 mm
Packaging dimensions	230x70x70 h mm
Gross weight	1,27 kg
EAN Code	8012667179625



Box



Grounded



18Ni
CrMo5

-