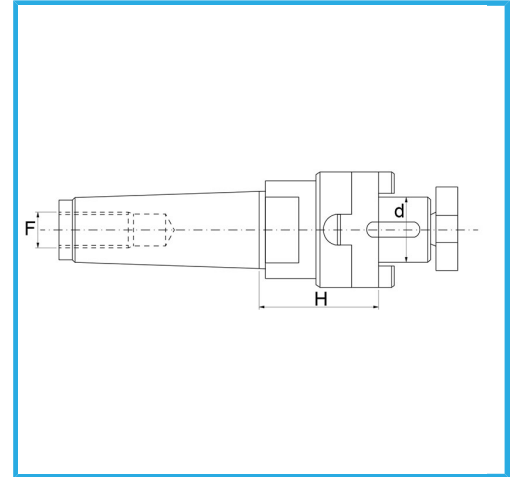


**ART. 16/CM4**  
**TAPER SHANK SHELL END MILL ADAPTER**



DIN 228/A FOR CYLINDRICAL END MILLS ACCORDING TO DIN 481, FOR MILLING CUTTERS WITH LONGITUDINAL GROOVE DIN 1880 AND FOR INSERT...



<b>d - h6</b>	16 mm
<b>Spindle taper</b>	4
<b>F</b>	M 16
<b>H</b>	55 mm
<b>Packaging dimensions</b>	55x55x190 h mm
<b>Gross weight</b>	1,06 kg
<b>EAN Code</b>	8012667179632



Box



Grounded



18Ni  
CrMo5

-