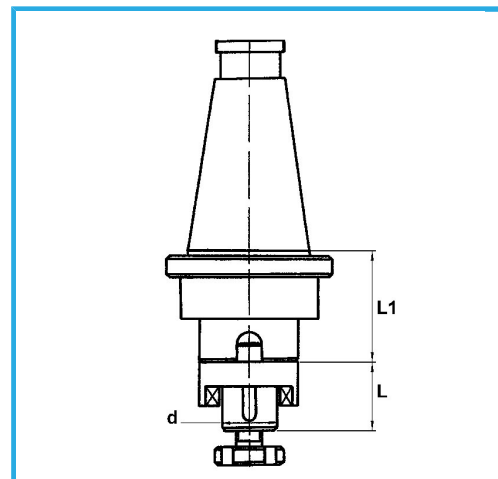


DIN 2080, BALANCED CHUCK BODY, FOR CYLINDRICAL END MILLS
ACCORDING TO DIN 481, FOR MILLING CUTTERS WITH LONGITUDINAL
GROOVE DIN...



| | |
|----------------------|---------------|
| ISO | 50 |
| d - h6 | 27 mm |
| L | 33 mm |
| L1 | 35 mm |
| Gross weight | 3,57 kg |
| Packaging dimensions | - |
| EAN Code | 8012667008345 |



Box



Grounded



18Ni
CrMo5

-