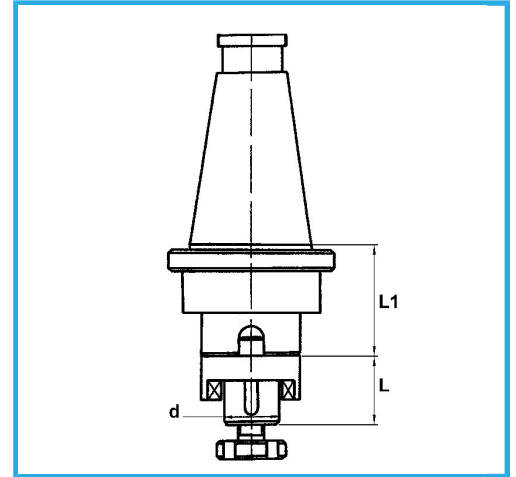


DIN 2080, BALANCED CHUCK BODY, FOR CYLINDRICAL END MILLS
ACCORDING TO DIN 481, FOR MILLING CUTTERS WITH LONGITUDINAL
GROOVE DIN...



ISO	40
d - h6	16 mm
L	27 mm
L1	35 mm
Gross weight	1,24 kg
Packaging dimensions	180x70x70h
EAN Code	8012667008284



Box



Grounded



18Ni
CrMo5

-