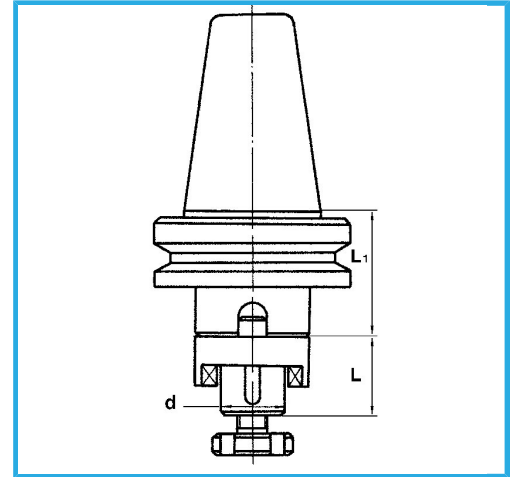


MAS-403 BT, BALANCED CHUCK BODY, FOR CYLINDRICAL END MILLS ACCORDING TO DIN 481, FOR MILLING CUTTERS WITH LONGITUDINAL GROOVE...



BT	50
d - h6	27 mm
L	33 mm
L1	35 mm
Gross weight	4,36 kg
Packaging dimensions	-
EAN Code	8012667008598



Box



Tempered



Grounded



18Ni  
CrMo5