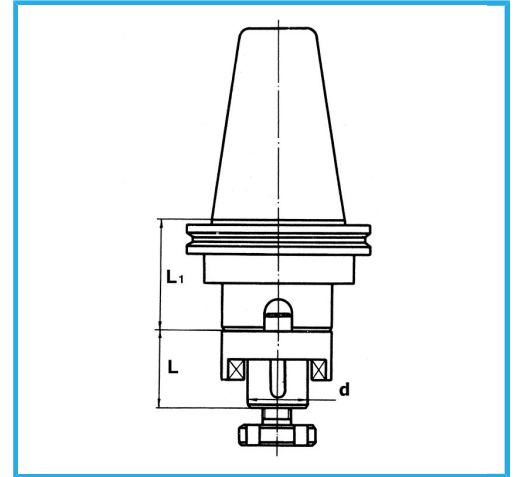


DIN 69871/A, BALANCED CHUCK BODY, FOR CYLINDRICAL END MILLS
ACCORDING TO DIN 481, FOR MILLING CUTTERS WITH LONGITUDINAL
GROOVE...



| | |
|---------------|---------------|
| ISO | 40 |
| d-h6 | 32 mm |
| L | 38 mm |
| L1 | 45 mm |
| Balancing rpm | 12000 |
| Gross weight | 1,70 kg |
| EAN Code | 8012667008062 |



Box

18Ni
CrMo5



Grounded