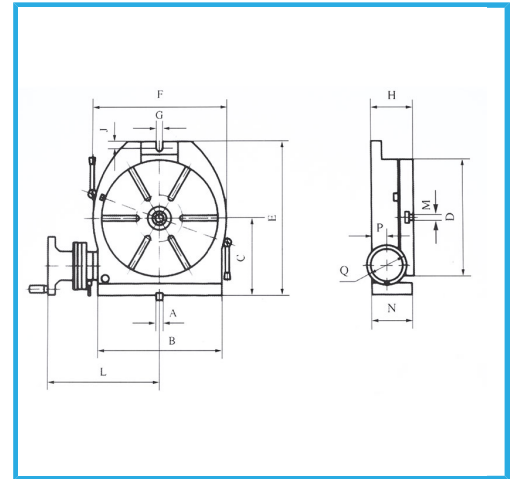
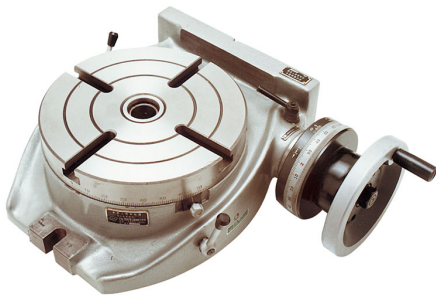


EQUIPPED WITH MICROMETRIC ADJUSTMENT AND OIL BATH GEARS.



A	14 mm
B	208 mm
C	150 mm
D	200 mm
E	285 mm
F	236 mm
G	14 mm
H	100 mm
J	15 mm
L	211 mm
N	99 mm
P	48 mm
Q	125 mm
MT	3
Ratio	1:90
Slots	4/12 N° / mm
Hor. max load	150 kg
Ver. max load	75 kg
Net weight	30 kg
Packaging dimensions	440 x 450 x 210 h mm
Gross weight	40,00 kg
EAN Code	8012667003098



Wooden Box