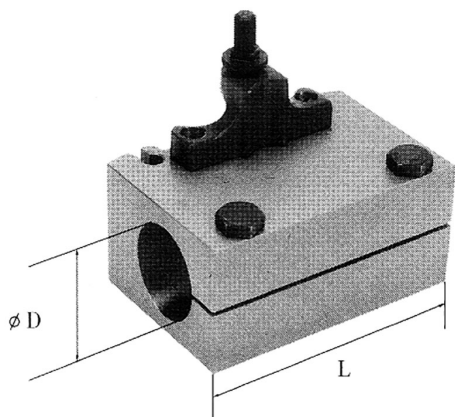


TYPE S, SUITABLE FOR HOUSING MORSE TAPER BUSHES COD. C40142, AND FOR THE DIRECT HOUSING OF TURNING BARS. EQUIPPED WITH...



<b>L</b>	150 mm
<b>D</b>	40 mm
<b>Gross weight</b>	3,77 kg
<b>Packaging dimensions</b>	175x165x150 h mm
<b>EAN Code</b>	8012667191689



Box