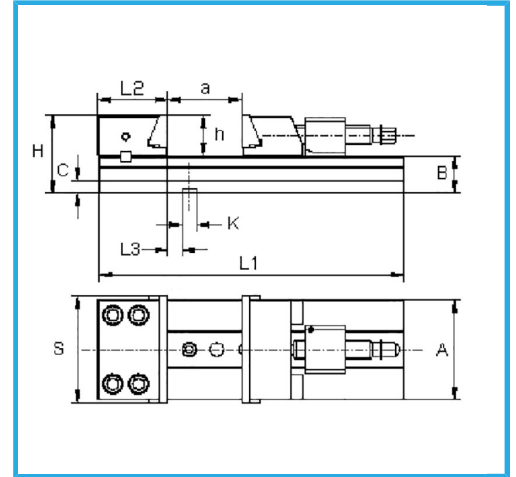
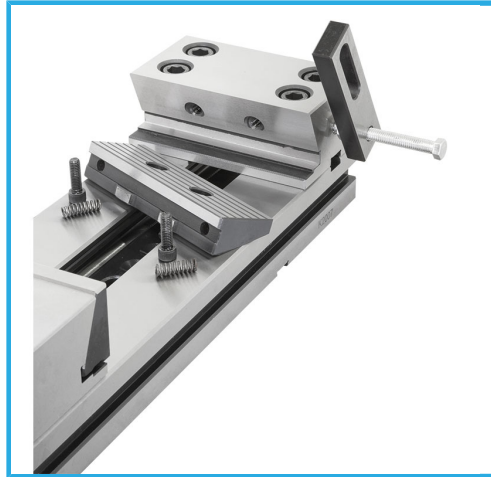
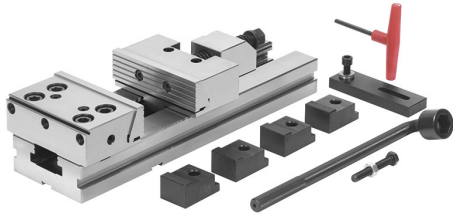


SUITABLE FOR JOBS WHERE PRECISION, RELIABILITY, AVAILABILITY AND SECURE LOCKING ARE REQUIRED. SUITABLE FOR PRECISION MILLING AND..



<b>Jaw dimensions</b>	200 x 65h mm
S	200 mm
A	170 mm
B	70 mm
C	26 mm
H	135 mm
L1	795 mm
L2	113,4 mm
L3	25,6 mm
h	65 mm
K h7	16 mm
a	500 mm
<b>Net weight</b>	79 kg
<b>Packaging dimensions</b>	855x220x255h mm
<b>Gross weight</b>	87,00 kg
<b>EAN Code</b>	8012667254018



Wooden Box



Tempered



Grounded



Steel