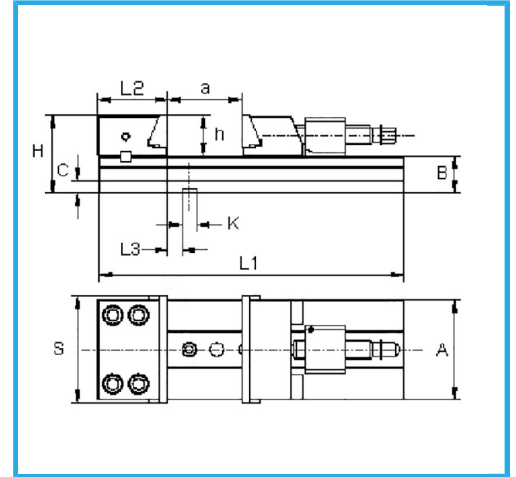
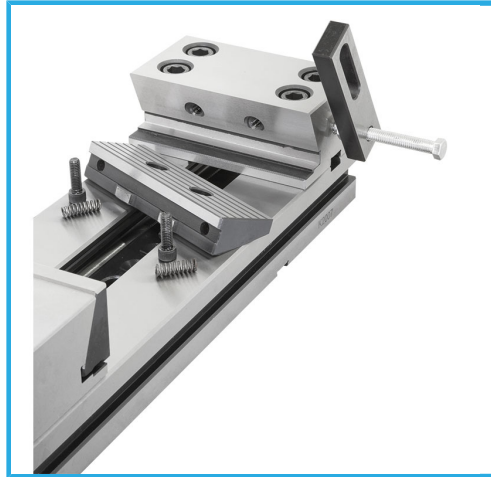
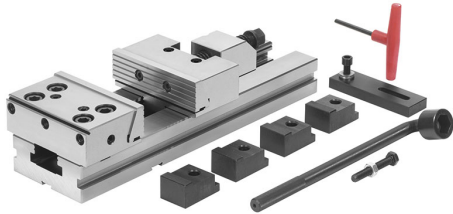


SUITABLE FOR JOBS WHERE PRECISION, RELIABILITY, AVAILABILITY AND SECURE LOCKING ARE REQUIRED. SUITABLE FOR PRECISION MILLING AND..



**Jaw dimensions**

Jaw dimensions	175 x 60h mm
S	175 mm
a	145 mm
B	58 mm
C	20 mm
H	118 mm
L1	655 mm
L2	96,9 mm
L3	25,6 mm
h	60 mm
K h7	16 mm
A	400 mm
<b>Net weight</b>	50 kg
<b>Packaging dimensions</b>	705x230x205 h mm
<b>Gross weight</b>	55,50 kg
<b>EAN Code</b>	8012667253981



Wooden Box



Tempered



Grounded



Steel