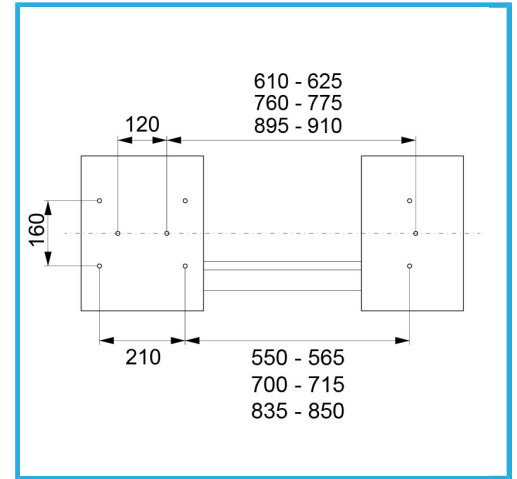


NOT ASSEMBLED BENCH LATHE STAND. ADJUSTABLE IN THREE POSITIONS. IN THE CASE OF SPECIAL DIMENSIONS, IT IS POSSIBLE TO DRILL THE...



**Dimensions**

90 - 91.5 | 105 - 106.5 | 118.5 - 119.5 x  
433 x 720h mm

**Net weight**

37,5 kg

**Packaging dimensions**

760 x 580 x 420 h mm

**Gross weight**

38,50 kg

**EAN Code**

8012667226336



Box