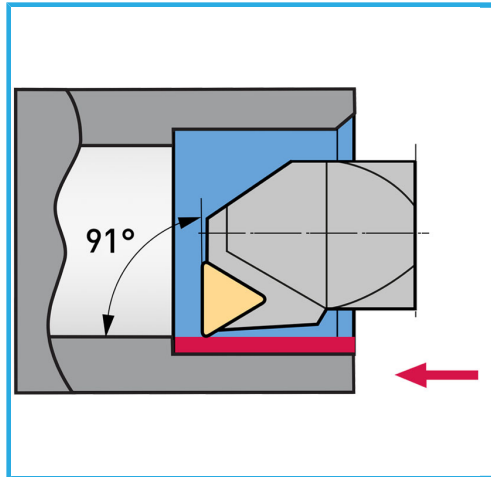


INSERT INCLUDED, USEFUL FOR HAVING A SET THAT ALLOWS YOU TO PERFORM MOST TURNING OPERATIONS WITH SMALL LATHES.



UPGRADE



Ext. shank / Insert

Int. shank / Insert

Length

Screw

Gross weight

Packaging dimensions

EAN Code

20 mm / TCMT16T304...

16 mm / TCMT110204...

Ext: 115 mm / Int: 200 mm

Ext: KV400 / Int: KV250

2,05 kg

260x190x50 h mm

8012667408008



Box



Burnished



External