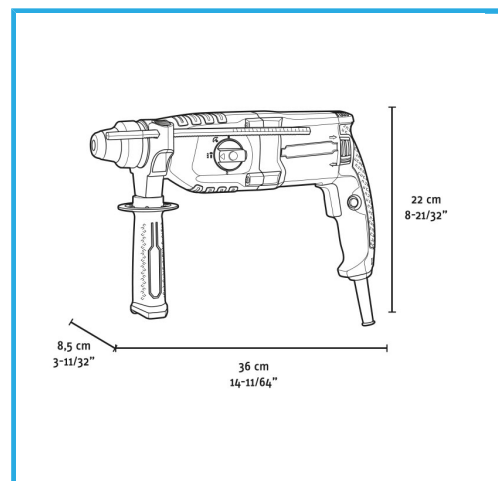


SDS-PLUS CHUCKEXTRA GEAR RIM CHUCK WITH SDS-PLUS
ADAPTERELECTRONIC SPEED ADJUSTMENT3 MODES: DRILLING /
IMPACT DRILLING /...



Power	800 W
Amperage at 220-230V	3,8 A
No-load speed	0-1200 min-1
Impact rate	0-5300 min-1
Percussion force	3,4 J
Chuck sizes	SDS-Plus
Drilling output concrete	Max 26 mm
Drilling output steel	Max 13 mm
Drilling output wood	Max 40 mm
EAN Code	8012667404376
Packaging dimensions	410 x 310 x 135 h mm
Gross weight	5,56 kg



Carrying
case



SDS PLUS



SDS Chuck +
Adapter



3 Functions



Vario-Lock



Safety
Clutch



Lock-On