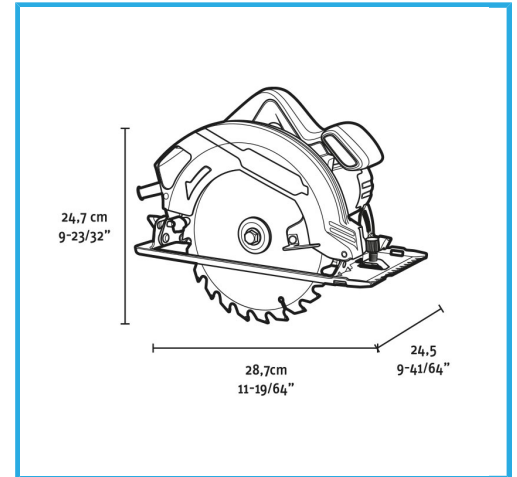


CUTTING DEPTH ADJUSTMENT ANGULAR ADJUSTMENT LOCK-OFF  
FUNCTION DUST EXTRACTION SYSTEM WITH EXHAUST  
PIPE OPERATOR PROTECTION SOFT...



<b>Power</b>	1500 W
<b>Amperage at 220-230V</b>	6,8 A
<b>No-load speed</b>	5500 min-1
<b>Min / max Ø blade</b>	185 / 190 mm
<b>Hole diameter</b>	20 mm
<b>Blade thickness</b>	2 mm
<b>Cutting Depth</b>	Max 66 mm (90°) / 46 mm (45°)
<b>EAN Code</b>	8012667404536
<b>Packaging dimensions</b>	325 x 255 x 275 h mm
<b>Gross weight</b>	5,28 kg



Box

- Angle  
Adjustment



Lock-Off

- Depth  
Adjustment



Dust

Extraction