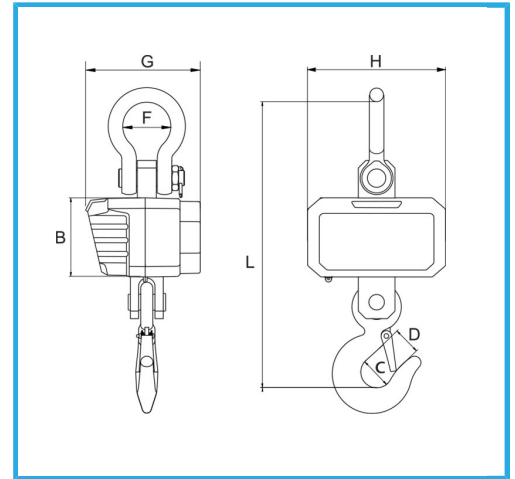


WITH CAST ALUMINUM STRUCTURE, EQUIPPED WITH BATTERY,
CHARGER, INFRARED REMOTE CONTROL AND SOUND SIGNAL DOUBLE
UNIT OF...



Digits sizes	40 x 20 mm
Capacity	1000 kg
Reading	0.500 kg
Minimum weighing	0.500 kg
Max weight	150%
Battery	1 x 6 V 4 Ah
Net weight	7,1 kg
EAN Code	8012667386108
Gross weight	5,00 kg
Packaging dimensions	510x345x300 h mm



Box

Included

Battery charger
6V 4Ah battery
Infrared remote control
Upper shackle
Hook with anti-slip
device