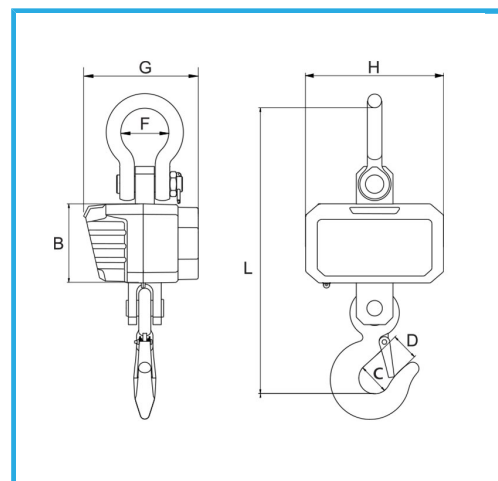


WITH CAST ALUMINUM STRUCTURE, EQUIPPED WITH BATTERY,
CHARGER, INFRARED REMOTE CONTROL AND SOUND SIGNAL DOUBLE
UNIT OF...



Digits sizes	40 x 20 mm
Capacity	10000 kg
Reading	5 kg
Minimum weighing	5 kg
Max weight	150%
Battery	1 x 6 V 4 Ah
Net weight	25,7 kg
EAN Code	8012667386139
Gross weight	25,62 kg
Packaging dimensions	910x325x330 h mm



Box

Included

Battery charger
6V 4Ah battery
Infrared remote control
Upper shackle
Hook with anti-slip
device