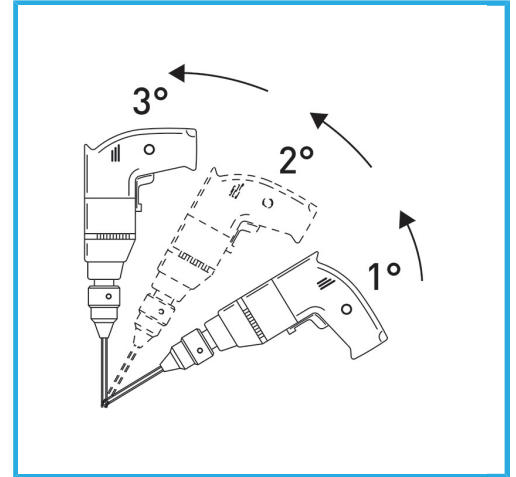
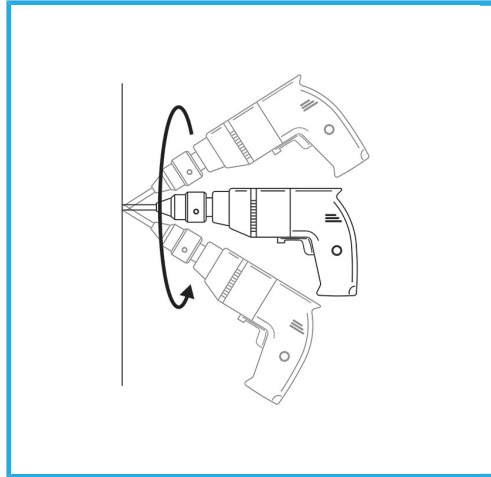


# ART. P034/05S

M14 DIAMOND DRILL BIT AND CORE DRILL WITH CONTINUOUS  
EDGE SET



THE THIN-WALL DIAMOND CORE GUARANTEES BURR-FREE CUTS.  
THIS FEATURE FACILITATES DRILLING WORK ON HARD LAID TILES,  
WHERE IT IS...



<b>Sizes</b>	Ø 6 mm - 8 mm -10 mm-12 mm - 14 mm
<b>Total length</b>	62 mm
<b>Diamond height</b>	10 mm
<b>Grit</b>	30/50
<b>Gross weight</b>	0,60 kg
<b>Packaging dimensions</b>	260 x 200 x 65 h mm
<b>EAN Code</b>	8012667355616



Carrying  
case



M14



5 Pcs