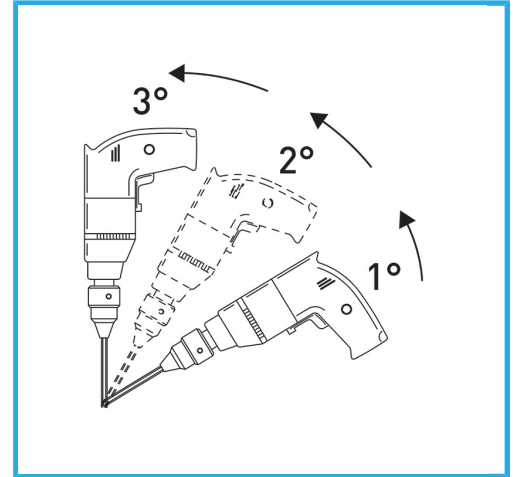
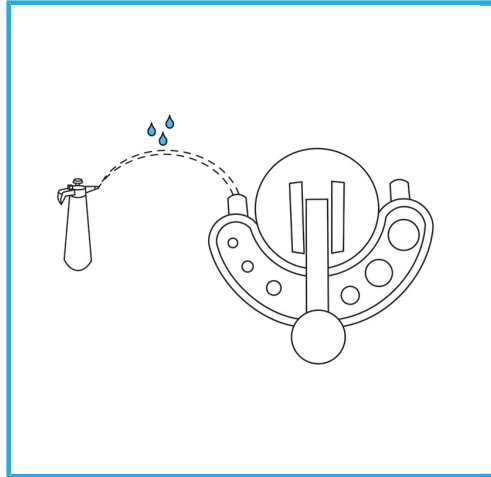


**ART. P031/03S**  
**DIAMOND DRILL BIT AND CORE DRILL WITH CONTINUOUS EDGE SET**



THE THIN-WALL DIAMOND CORE GUARANTEES BURR-FREE CUTS. THIS FEATURE FACILITATES DRILLING WORK ON HARD LAID TILES, WHERE IT IS...



|                             |                       |
|-----------------------------|-----------------------|
| <b>Sizes</b>                | Ø 6 mm - 8 mm - 10 mm |
| <b>Hex drive</b>            | 9.5 mm                |
| <b>Total length</b>         | 56 mm                 |
| <b>Diamond height</b>       | 2 mm                  |
| <b>Grit</b>                 | 50/60                 |
| <b>Packaging dimensions</b> | 70 x 140 x 70 h mm    |
| <b>Gross weight</b>         | 0,09 kg               |
| <b>EAN Code</b>             | 8012667355326         |



Hangable



3 Pcs