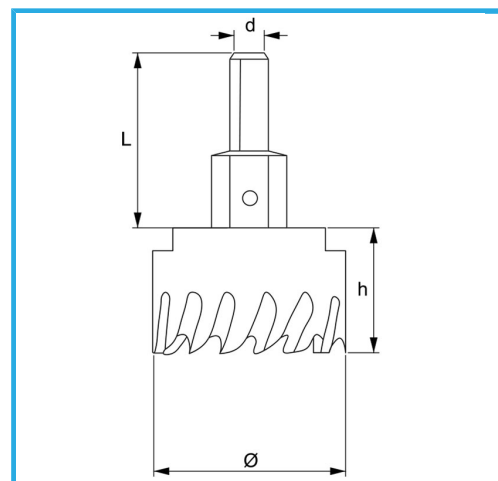


FOR DRILLING MEDIUM AND LARGE HOLES IN THE WALL.



Ø	38 mm
d	10 mm
Thread	M12 x 1.25
Z	4
L	46 mm
Boring bit	Ø6 x 69 mm
Gross weight	0,21 kg
Packaging dimensions	60x60x110 h mm
EAN Code	8012667352639



Hangable

HSS

HM