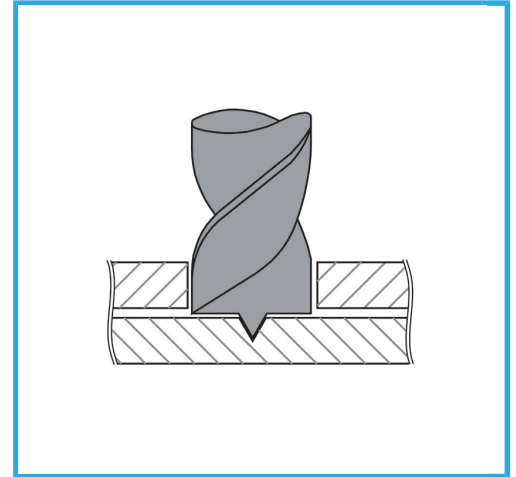


TO REMOVE WELDING SPOTS AND TO DRILL METAL SHEETS IN GENERAL.



∅	10 mm
Total length	89 mm
Gross weight	0,05 kg
Packaging dimensions	15x15x105 h mm
EAN Code	8012667358518



Hangable



1897/N



-