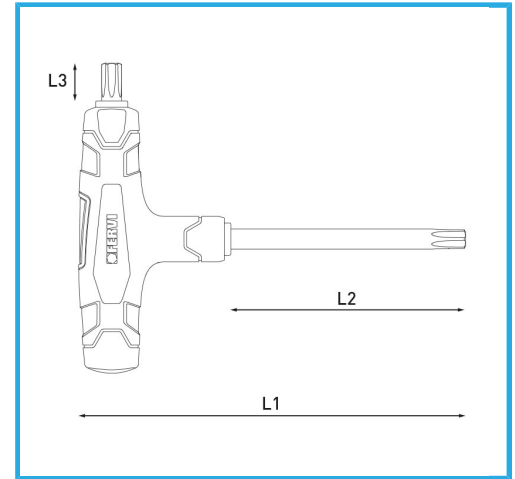


ART. C855/T25
TWO WAY TORX KEY WITH PLASTIC HANDLE



Size	T25
L1	175 mm
L2	120 mm
L3	10 mm
Gross weight	0,07 kg
Packaging dimensions	175 x 115 x 20 h mm
EAN Code	8012667362386



Phosphated



-



Cr-V

-