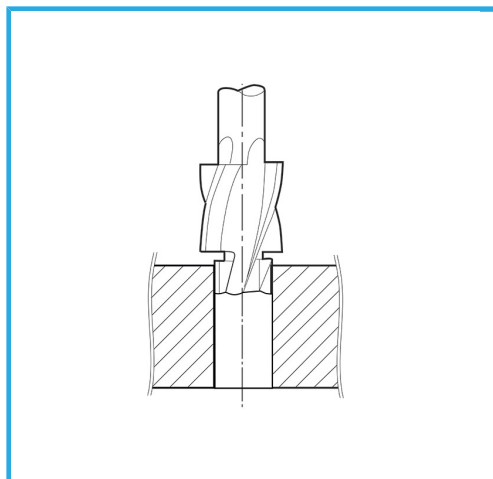


ART. L019S
SOLID CAP SCREW COUNTER BORE SET FINE GRADE



FOR THROUGH HOLES FOR THE EXECUTION OF PRECISION SCREWS OR BOLTS.



For screws
Gross weight
EAN Code

M3, M4, M5, M6, M8, M10
0,41 kg
8012667346683

	Hangable		External
	6 Pcs		373
	-		-