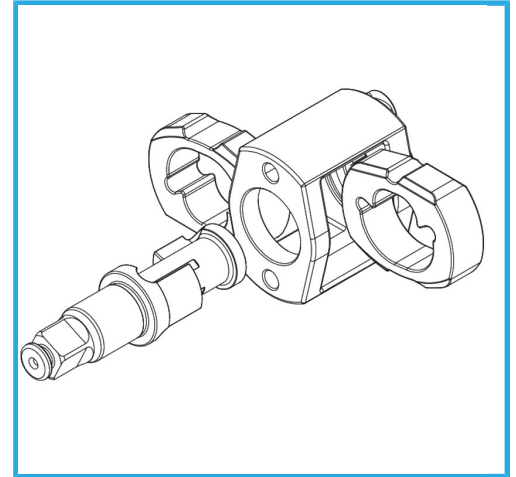
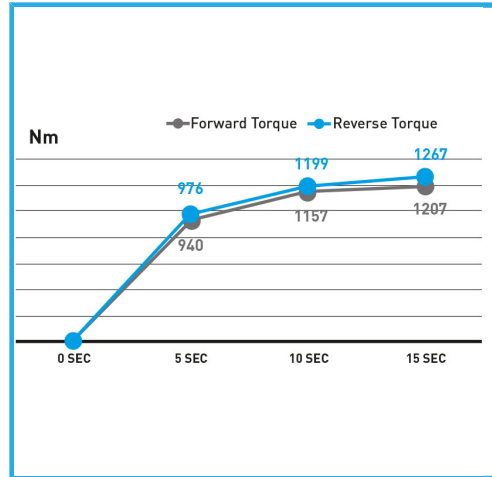


PROFESSIONAL SERIES. IN COMPOSITE MATERIAL, HANDLE AND HEAD IN SHOCKPROOF RUBBER. OPERATING LEVER, CHANGE OF ROTATION AND SPEED..



| | |
|----------------------|----------------------|
| Speed | 7300 rpm |
| Torque | 1085 Nm 800 lb-ft |
| Avg air cons. | 153 l/min 5.4 SCFM |
| Working pressure | 6 bar 90 psi |
| Air inlet | 1/4" |
| Net weight | 2,1 kg |
| Packaging dimensions | 230x215x80 h mm |
| Gross weight | 2,31 kg |
| EAN Code | 8012667346300 |



Box



3/4"